

## Distributor

### Germany

NTS electronic and components GmbH

Hermannstaedter Str. 23

D 90765 Fuerth

Tel. +49 911-794634

Fax +49 911-794631

Hubert Roth <roth@mecheltron.com>

Web:www.mecheltron.com

### Ukraine

REFIT Ltd,

76014 Ukraine, Ivano-Frankivsk city, D.

Dudayeva str,10

+38(068)2123922

+38(066)4033697

skype: s\_iryuka

wechat: s\_iryuka

e-mail: s\_iryuka@refit.com.ua

www.refit.com.ua

### India

Precision Bearing House

B 97/4, Naraina Industrial Area Phase I

New Delhi 110028

India

Official Email ID : maninder@pbh.in

Shenzhen Just Motion control Electromechanics Co.,ltd

Add:Floor2,BuildingA,Hongwei Industrial Zone No.6,Liuxian 3rd road,Shenzhen,China

Tel:0755-26509689

E-mail: export@jmc-motion.com

www.jmc-motor.com

www.jmc-motion.com

https://powermotion.en.alibaba.com



本公司产品已通过CE认证



本公司已通过ISO9001:2000  
质量管理体系认证



# Selection Manual of Jasd series AC servo system

# Outline of JASD series AC Servo System



## Features of JASD series servo

- ① Using DSP + FPGA dual chip platform and optimized current loop design, the driver has high dynamic response, extremely short setting time, stable operation and small vibration when stopping
- ② With automatic gain adjustment module, users can choose the rigidity level according to the demand.
- ③ Built in FIR filter and multi group notch filter can automatically identify and suppress mechanical vibration.
- ④ The built-in disturbance torque observer makes the driver have strong ability to resist external disturbance.
- ⑤ There are a variety of control modes for selection, position control, speed control, torque control, can switch various control modes.⑥ The input frequency of position pulse is 4MHz. It supports pulse + direction, orthogonal pulse, double pulse and other position command modes.
- ⑦ It has RS485 interface, supports Modbus communication, and can be flexibly applied to manipulator and other industries with memory function.
- ⑧ With programmable 8-channel input and 5-way output port, users can customize input and output through parameter setting, which is flexible.
- ⑨ Support incremental encoder and 17 bit, 20 bit high precision absolute value encoder.
- ⑩ It has perfect protection functions such as over-voltage, under voltage, over speed, overload, excessive position deviation and encoder error, and can memorize 8 groups of historical fault information.
- ⑪ With rich monitoring items, users can choose the monitoring items to monitor the running status.
- ⑫ The driver can communicate with PC through RS232 interface to realize simple and quick debugging of servo drive system.

Motor	Base	40 base	60 base		80 base
	Picture				
Model		40JASM501230K-17BC	60JASM502230K-17BC	60JASM504230K-17BC	80JASM507230K-17BC
Power		100W	200W	400W	750W
Driver	Picture				
	Model	JASD2002-20B	JASD2002-20B	JASD4002-20B	JASD7502-20B
	Power	200W	200W	400W	750W

Motor	Base	80 Base	110 Base		130 Base
	Picture				
Model		80JASM510230K-17BC	110JASM513230K-M23B	110JASM516220K-M23B	130JASM508215K-17BCN
Power		1000W	1300W	1600W	850W
Driver	Picture				
	Model	JASD15002-20B	JASD15002-20B	JASD20002-20B	JASD15002-20B
	Power	1500W	1500W	2000W	1500W

Motor	Base	130Base			
	Picture				
Model		130JASM515215K-17BCN 130JASM515220K-17BCN 130JASM515230K-17BCN	130JASM520230K-17BCN	130JASM523215K-17BCN	130JASM530220K-17BCN
Power		1500W	2000W	2300W	3000W
Driver	Picture				
	Model	JASD20002-20B	JASD20002-20B	JASD20002-20B	JASD30002-20B
	Power	2000W	2000W	2000W	3000W

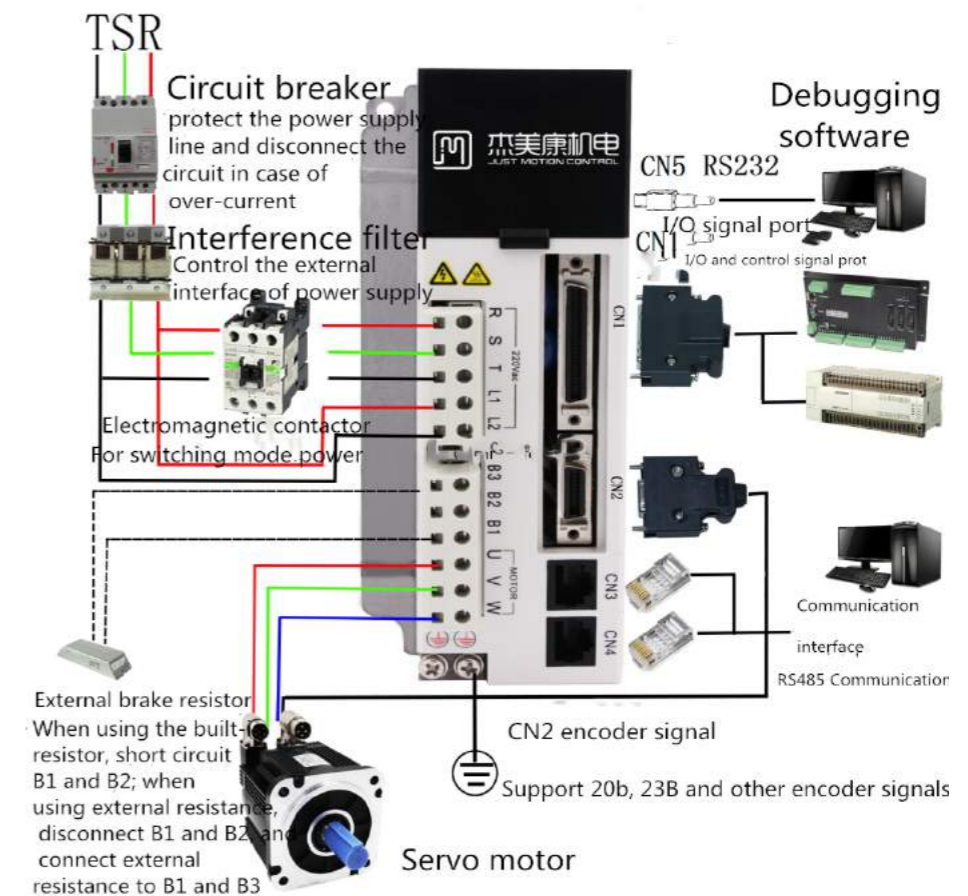
## Corresponding table of 17bct series motor and driver

Motor	Base	40base	60Base		80Base
	Picture				
Model		40JASM501230K-17BCT	60JASM502230K-17BCT	60JASM504230K-17BCT	80JASM507230K-17BCT
Power		100W	200W	400W	750W
Driver	Picture				
	Model	JASD2002-20B	JASD2002-20B	JASD4002-20B	JASD7502-20B
	Power	200W	200W	400W	750W

Motor	Base	80 Base	110 Base		130 Base
	Picture				
Model		80JASM510230K-17BCT	110JASM510225K-17BCT	110JASM515225K-17BCT	130JASM510220K-17BCT
Power		1000W	1000W	1500W	1000W
Driver	Picture				
	Model	JASD15002-20B	JASD15002-20B	JASD20002-20B	JASD15002-20B
Power		1500W	1500W	2000W	1500W

Motor	Base	130 Base			
	Picture				
Model		130JASM515220K-17BCT 130JASM515230K-17BCT 130JASM515240K-17BCT	130JASM520220K-17BCT	130JASM526225K-17BCT	130JASM530220K-17BCT
Power		1500W	2000W	2600W	3000W
Driver	Picture				
	Model	JASD20002-20B	JASD20002-20B	JASD30002-20B	JASD30002-20B
	Power	2000W	2000W	3000W	3000W

## Wiring diagram of driver

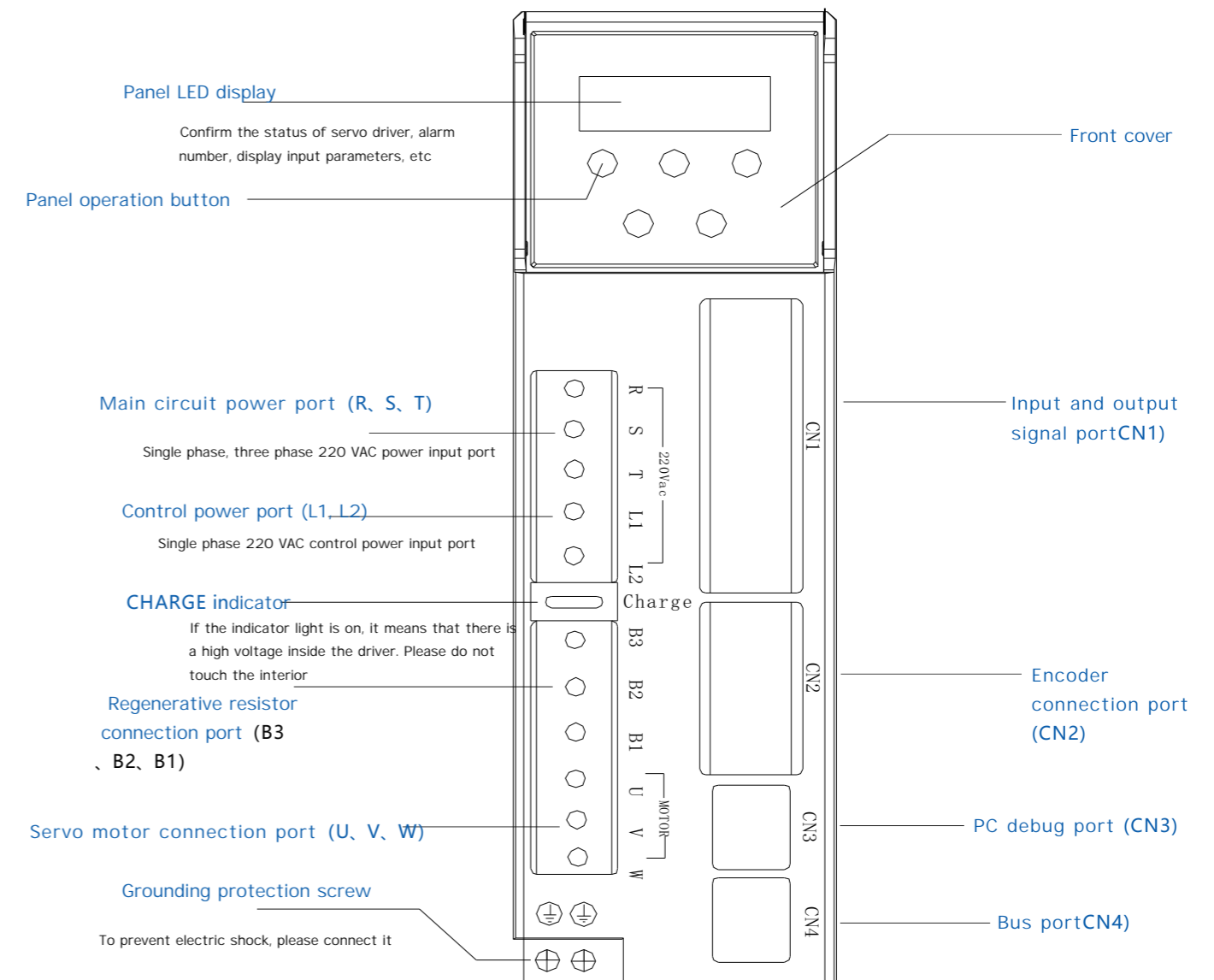


# JASD Servo driver

## Introduction



### Name of each part of servo driver



### JASD driver

200W	400W	750W	1.5KW	2.0KW	3.0KW

### Description of servo driver model

JASD 400 2 - 20B - XX

①      ②      ③      ④      ⑤

Symbol	Name	Explain
①	Series name	JMC JASD series AC servo driver
②	Power of driver	100:100W    200:200W    400:400W    750:750W 1500:1.5KW    2000:2.0KW    3000:3.0KW
③	Power Supply voltage specification	1: Single phase 110V    2: Single phase / 3 phases 220V
④	Specification of encoder	2500:2500line    20B:Absolute    M20B: Multi loop absolute
⑤	Product design serial number	Special function module, default to standard model

### Servo driver specifications

#### Electrical specifications

##### a) Single phase 220 V voltage level servo driver

Model JASD***2-**	200	400	750	1500
Single phase continuous input currentArms	1.9	3.2	6.7	8.8
Continuous output currentArms	2.1	2.8	5.5	8
Maximum output currentArms	5.8	9.6	16.9	19
Main current supply	Single phase AC180-240V, 50/60Hz			
Control current supply	Single phase AC180-240V, 50/60Hz			
Brake processing function	External braking resistor		Built in brake resistor	

b) Three phase 220 V voltage level servo driver

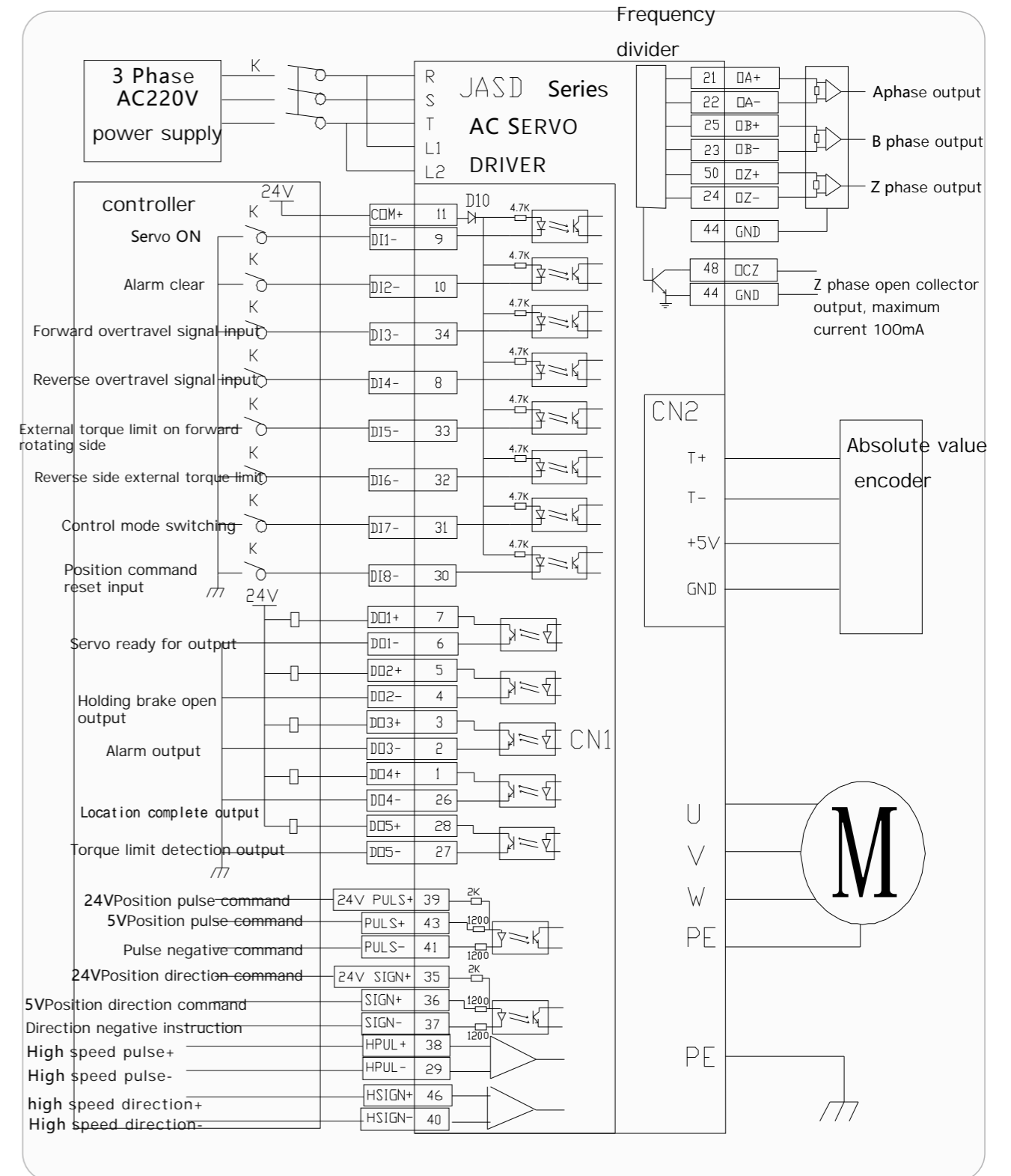
Model JASD***2-**	750	1500	2000	3000
3 phase continuous input current Arms	3.6	6	8.7	11
Continuous output current Arms	5.5	8	14	20
Maximum output current Arms	16.9	19	33	50
Main current supply	3 phase AC180-240V, 50/60Hz			
Control current supply	3 phase AC180-240V, 50/60Hz			
Brake processing function	Built in brake resistor			

● Basic Specification

Item	Description
Control way	Single phase / three phase full wave rectification IGBT PWM Control sine wave current drive mode
Feedback	Incremental encoder absolute value encoder
Conditions of use	Temperature work: 0~55°C storage: -25~85°C
	Humidity work: 10%~90%
	Altitude When it is <1000m, it should be derated according to GB / T3859.2-93
Protection grade	Protection grade: IP10, cleanliness: 2 environment without corrosive gas, combustible gas, no oil, water splashing dust, salt and metal powder
performance	Speed adjustment range 1:5000
	Speed stability accuracy ±0.01%: External load variation 0~100% ±0.01%: Input power variation ±10% (220V) ±0.1%: Ambient temperature 度±25°C (25°C)
	Speed response frequency 1200Hz
	Torque control accuracy ±2%
Frequency division pulse output of encoder	A phase, B phase, C phase : Linear drive output Frequency division pulse number: can be set arbitrarily
Input and output signals	Input signal Points: 8 functions: servo on, alarm clear, forward overtravel signal input, reverse overtravel signal input, control mode switch, P action command input, forward rotation side external torque limit, reverse side external torque limit, gain switching input, zero position fixed input, command pulse forbidden input, encoder absolute value data requirement input, internal set speed switching input 1, internal setting speed control input Part 2 set speed switch input, internal set speed switch input 3, position command reset input, magnetic pole detection input, command pulse input rate switch input
	output signal Points: 5 functions: alarm output, brake opening output, servo ready output, positioning completion output, positioning approach output, speed consistent output, motor zero speed output, torque limit detection output, speed limit detection output, warning output, command pulse input rate switching output
Display function	High voltage power indicator, 6-bit 8-segment LED
Communication function	RS485 It supports Modbus protocol. Axis address: connect to PC through
	RS232 parameter setting
Regeneration treatment	Built in regenerative resistor or external regenerative resistor
Protection function	Over voltage, under voltage, over current, overload, etc

Standard wiring diagram of servo system control mode

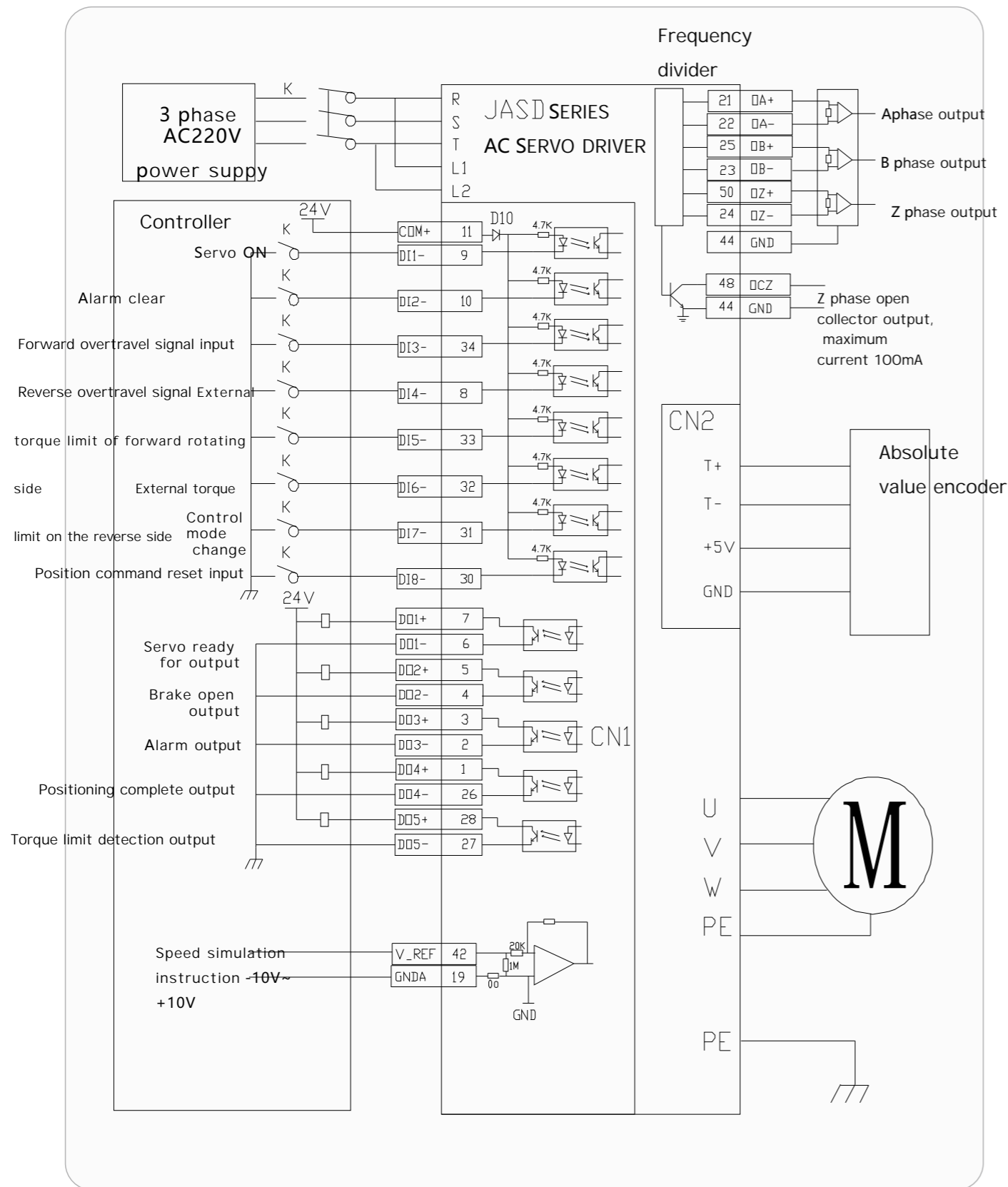
● Position control



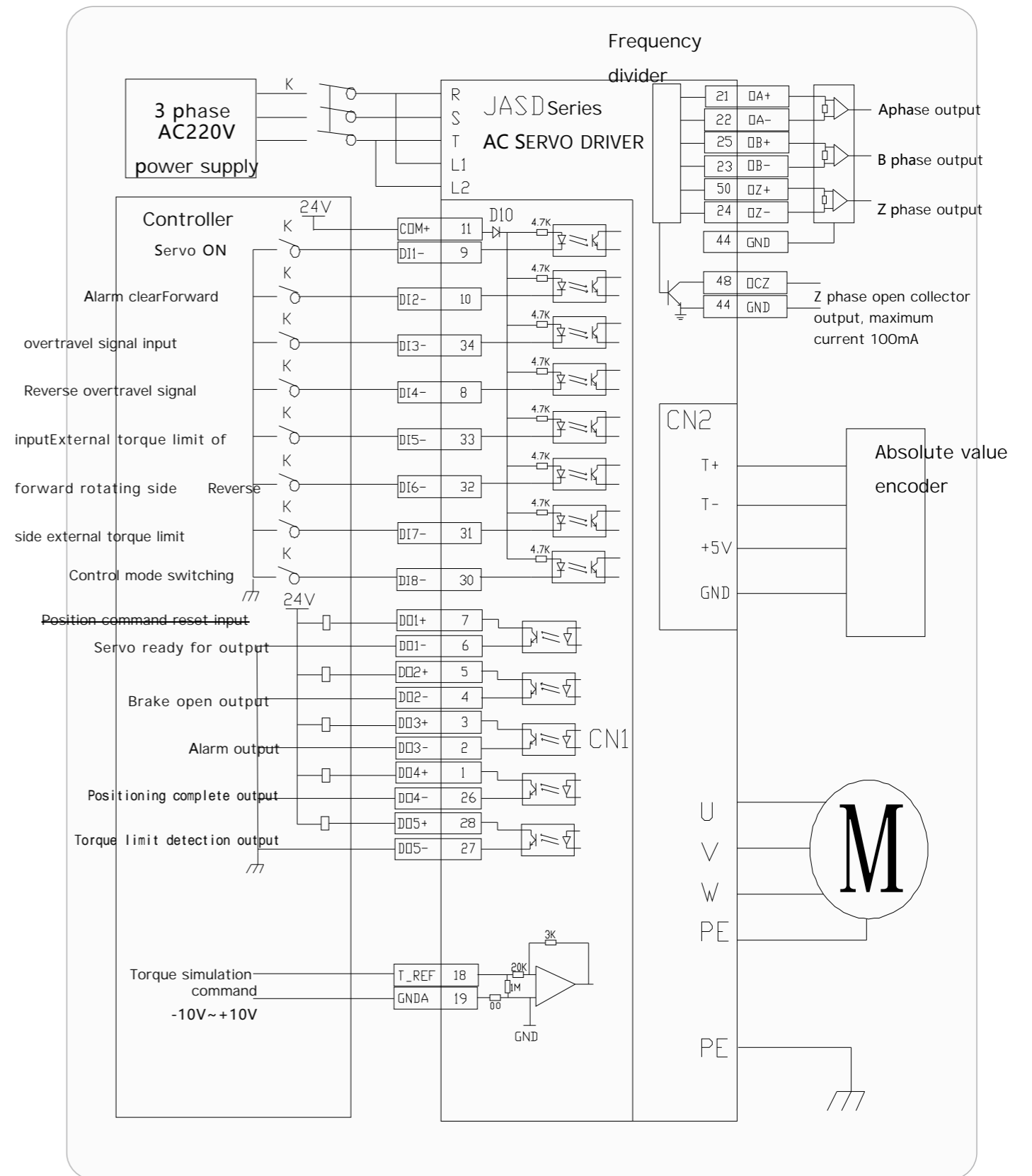
Note: 1, Do output port compatible with 5V - 24V power supply

2, High speed pulse and high speed direction support 3.3V ~ 5V input

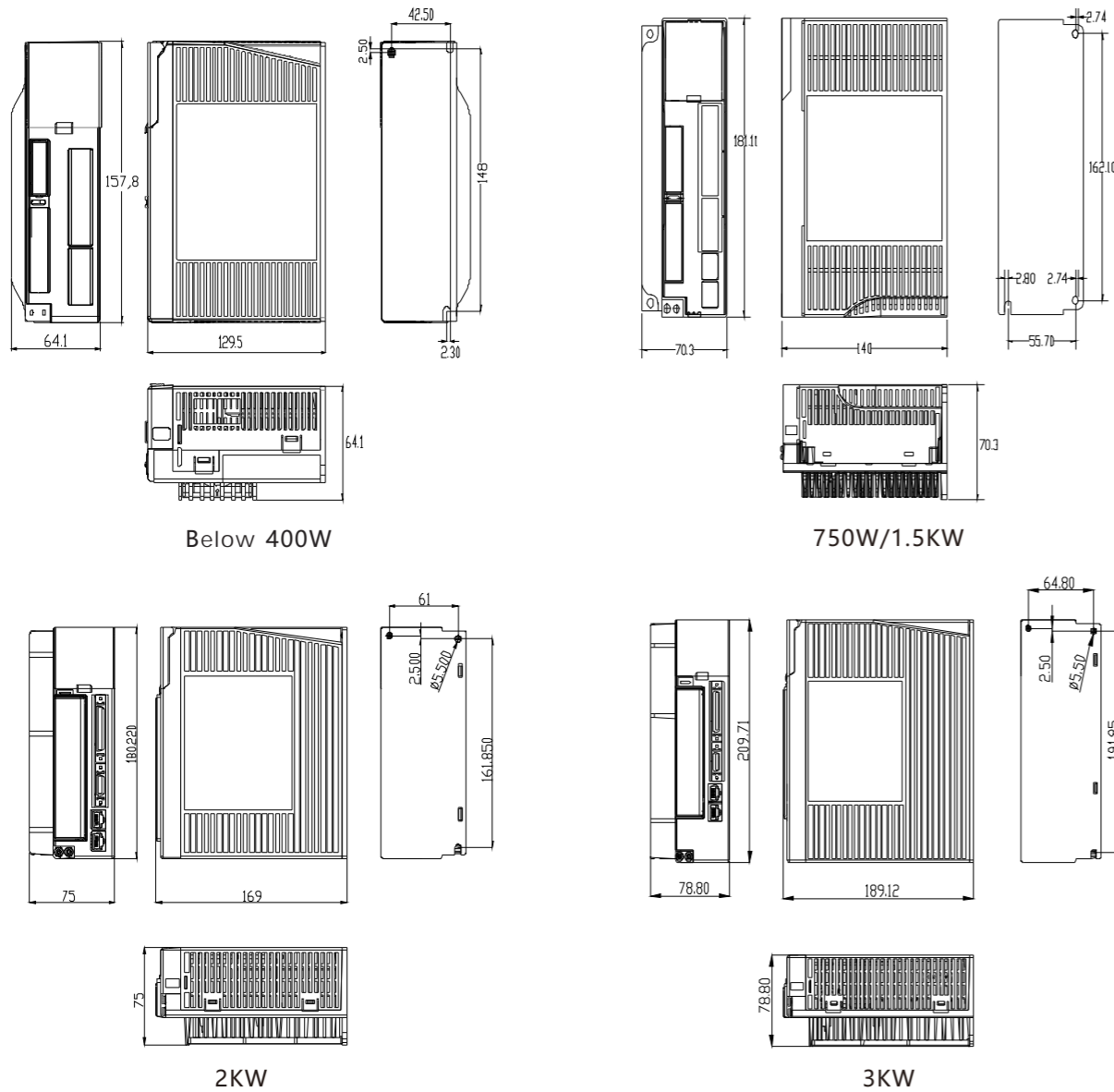
● Speed control



● Torque Control

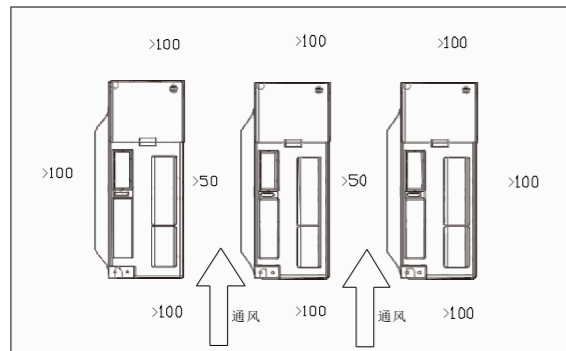


## Drive mounting dimensions (Unit: mm)

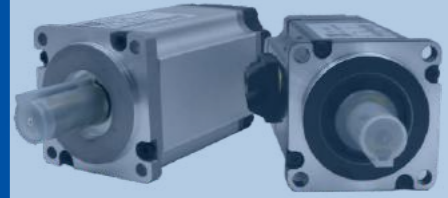


### Installation method

- 1) installation method: floor installation or panel installation is adopted, and the installation direction is perpendicular to the installation surface.
- 2) Installation interval: when multiple drives are installed, the interval between drivers shall not be less than 50mm to ensure good heat dissipation.
- 3) Heat dissipation: in order to ensure that the temperature around the drive does not rise continuously, there should be convection wind blowing to the driver in the electric cabinet.



# Introduction of servo motor



## Name rule of servo motor

60 JASM 5 04 2 30 K - 17BC - SC - φ11 - 01

① ② ③ ④ ⑤ ⑥ ⑦ ⑧ ⑨ ⑩ ⑪

Symbol	Name	Illustration
	Base size	60 means 60 motor , 40, 60, 80, 110, 130 are available JASM
	Motor type	means JASM series AC servo motor
	Motor pole pairs	4 : 4 pole pairs ; 5 : 5 polar pairs ; Four pairs of poles are default
	Rated power of motor	02: 200W, 04: 400W, 07: 750W, 08: 850W, 10: 1KW, 13: 1.3KW, 15 : 1.5KW , 20 : 2.0KW , 30 : 3.0KW
	V oltage specification	1 means 110V , 2 means 220V
⑥	Rated speed of motor (r/min)	15: 1500, 20: 2000, 25: 2500, 30: 3000, 40: 4000
⑦	Motor output shaft type	K Keyway, f flat shaft, s-axis, G reducer adaptation, P special production
⑧	Encoder specification	2500: 2500line, 17BC/17BCT/17BCN: Single loop17bit, M17BC/M17BCT/M17BCN: Multi-loop17bit, 23B: Single loop 23bit, M23B: Multi loop 23 bit
⑨	Custom made selection	SCKeyway, f flat shaft, s-axis, G reducer adaptation, P special production
⑩	Motor shaft diameter	11 represents motor shaft diameter 11, default represents official standard shaft diameter, 40 motor standard shaft diameter 8, 60 motor standard shaft diameter 14, 80 motor standard shaft diameter 19110 motor standard shaft diameter 19130 motor standard shaft diameter 22
⑪	Motor version number	01 the 1st version, 02 : the 2nd version, and the default is the 1st version






Motor model: 60JASM504230K-17BC  
Description of model definition: 60JASM series motor , 5 polar pairs, 400W, 220V, 3000rpm, Keyway shaft type, single loop 17 bit encoder.

## List of JASM series motors

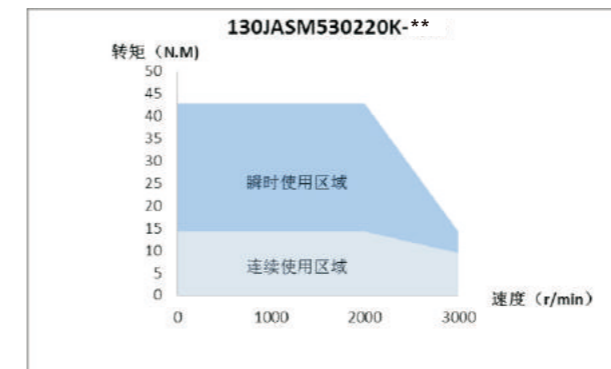
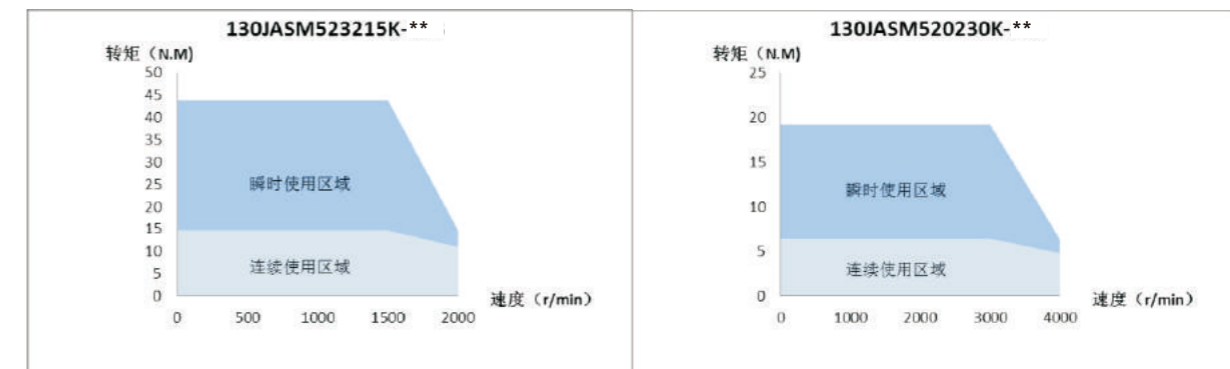
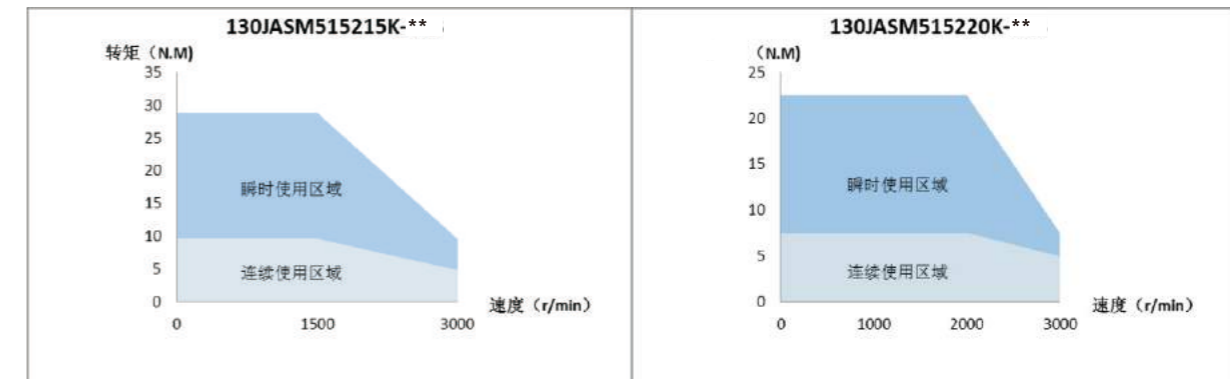
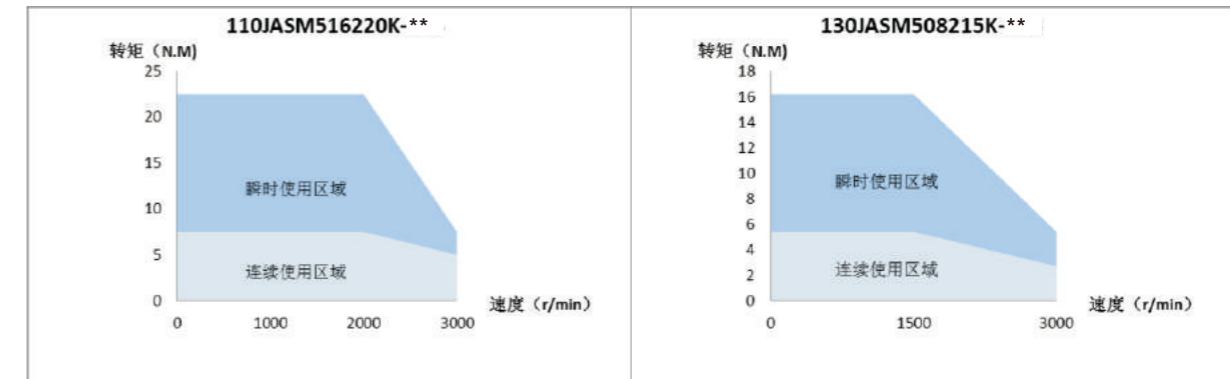
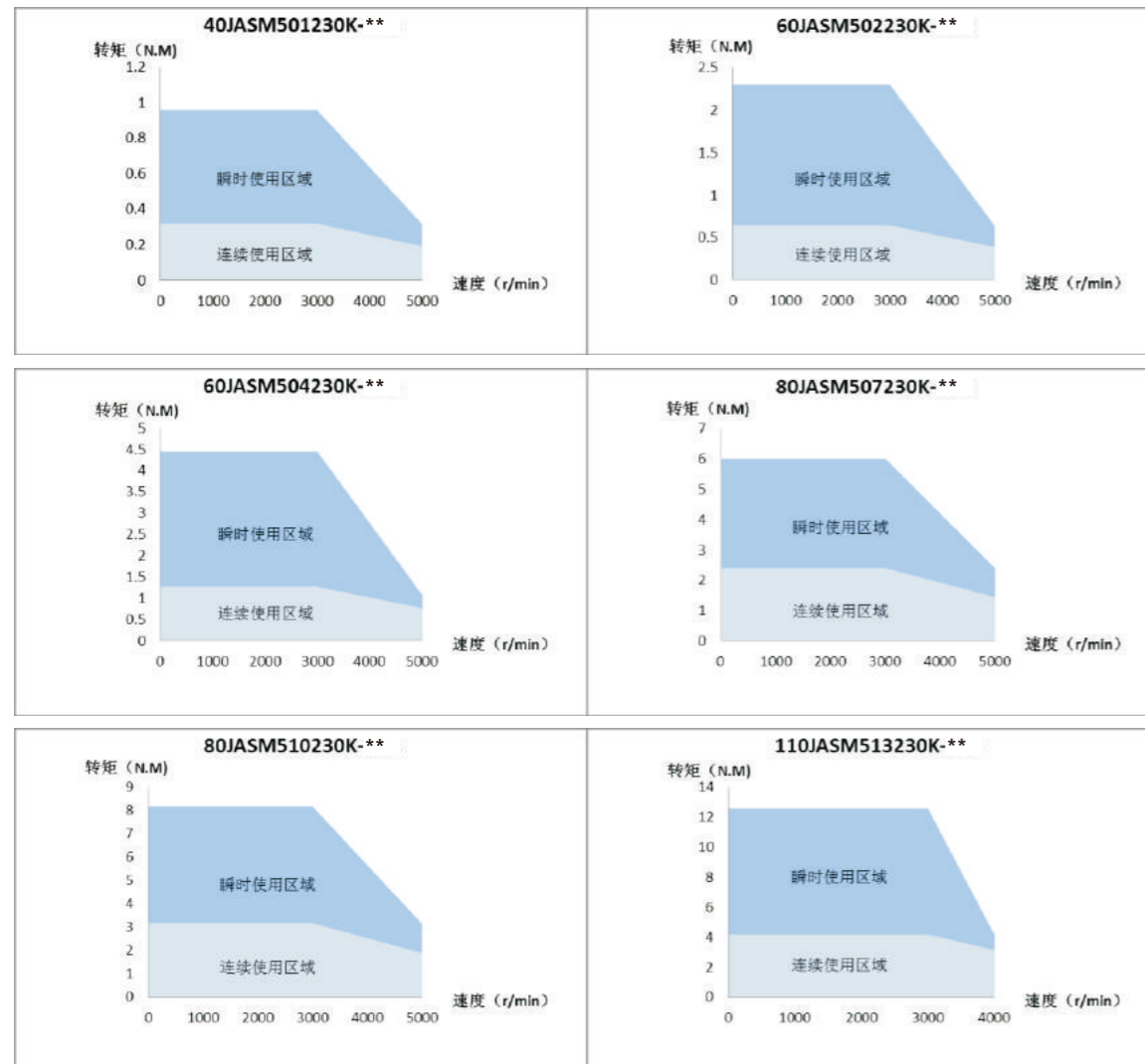
### ● JASM\*\*\*-17BC series motor list

Appearance	Frame size	Model	PowerW	Speed(Rated/Max)rpm	Rated torqueNm	Peak torqueNm(last 3S)
	40mm	40JASM501230K-17BC	100	3000/6000	0.318	0.954
	60mm	60JASM502230K-17BC	200	3000/6000	0.64	1.92
		60JASM504230K-17BC	400	3000/6000	1.27	3.81
	80mm	80JASM507230K-17BC	750	3000/5000	2.39	7.17
		80JASM510230K-17BC	1000	3000/5000	3.18	9.54
	110mm	110JASM513230K-M23B	1300	3000/4000	4.2	12.6
		110JASM516220K-M23B	1600	2000/3000	7.5	22.5
	130mm	130JASM508215K-17BCN	850	1500/3000	5.4	16.2
		130JASM515215K-17BCN	1500	1500/3000	9.6	19.2
		130JASM515220K-17BCN	1500	2000/3000	7.5	22.5
		130JASM515230K-17BCN	1500	3000/5000	5	15
		130JASM520230K-17BCN	2000	3000/4000	6.4	19.2
		130JASM523215K-17BCN	2300	1500/3000	14.6	29.2
		130JASM530220K-17BCN	3000	2000/3000	14.3	42.9

● JASM\*\*\*-17BCTSeries servo motor list

Appearance	Frame size	Model No.	PowerW	Speed(Rated/Max)rp	Rated torque Nm	Peak torque Nm(Last 3°)
	40mm	40JASM501230K-17BCT	100	3000/5000	0.32	0.96
	60mm	60JASM502230K-17BCT	200	3000/5000	0.64	1.92
		60JASM504230K-17BCT	400	3000/5000	1.27	3.81
	80mm	80JASM507230K-17BCT	750	3000/5000	2.39	7.17
		80JASM510230K-17BCT	1000	3000/5000	3.18	9.54
	110mm	110JASM510225K-17BCT	1000	2500/5000	3.82	9.55
		110JASM515225K-17BCT	1500	2500/5000	5.73	14.33
	130mm	130JASM510220K-17BCT	1000	2000/4000	4.78	11.95
		130JASM515220K-17BCT	1500	2000/4000	7.16	17.9
		130JASM515230K-17BCT	1500	3000/4000	4.78	14.43
		130JASM515240K-17BCT	1500	4000/4500	3.58	10.74
		130JASM520220K-17BCT	2000	2000/4000	9.55	23.88
		130JASM526225K-17BCT	2600	2500/3500	10	25
		130JASM530220K-17BCT	3000	2000/4000	14.32	35.8

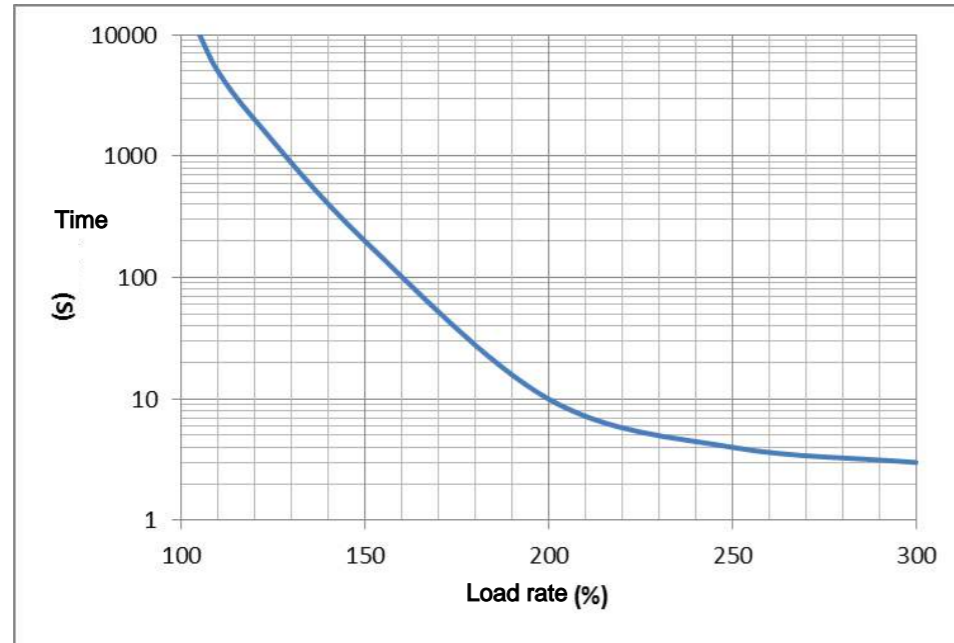
● Speed and torque characteristics of servo motor



Note: The torque characteristics of servo motors with the same power and rated speed are consistent (independent of the type of encoder installed)



● Overload Characteristics of servo motor



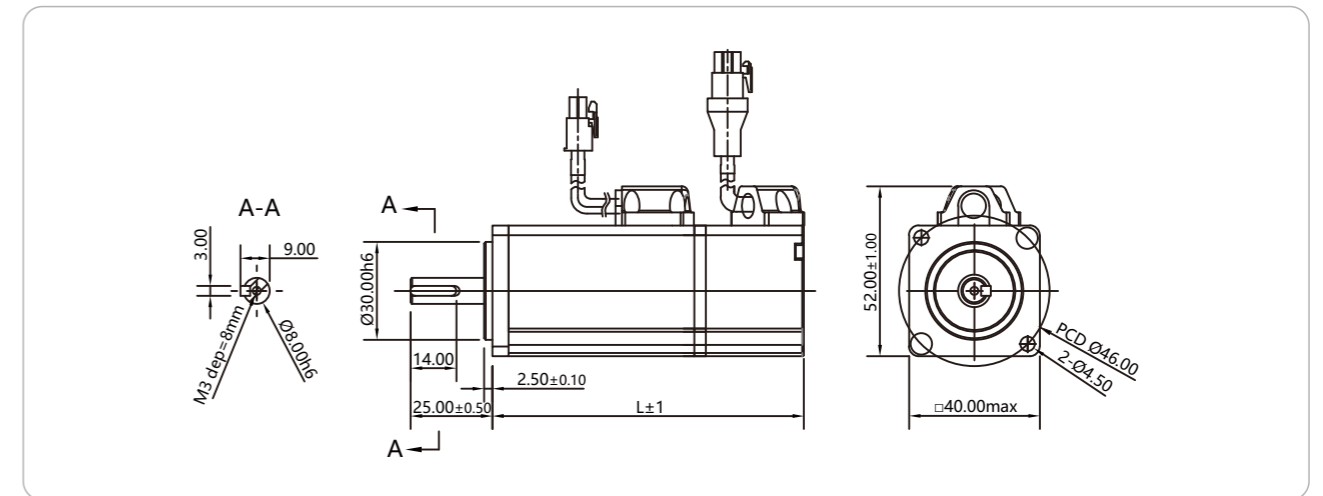
Parameter table of servo motor **JASM\*\*\*-17BC/17BCN Series**

● Technical specification of 40 frame servo motor

a) Electrical parameters

Model	L	(V)	(W)	(Nm)	(Nm)	(A)	(A)	(10 <sup>-4</sup> kg <sup>2</sup> )	(r/min)	(r/min)	driver
40JASM501230K-17BC	79	220	100	0.318	0.954	1.1	3.3	0.046	3000	6000	JASD2002-20B

b) Installation Dimension (Unit: mm)

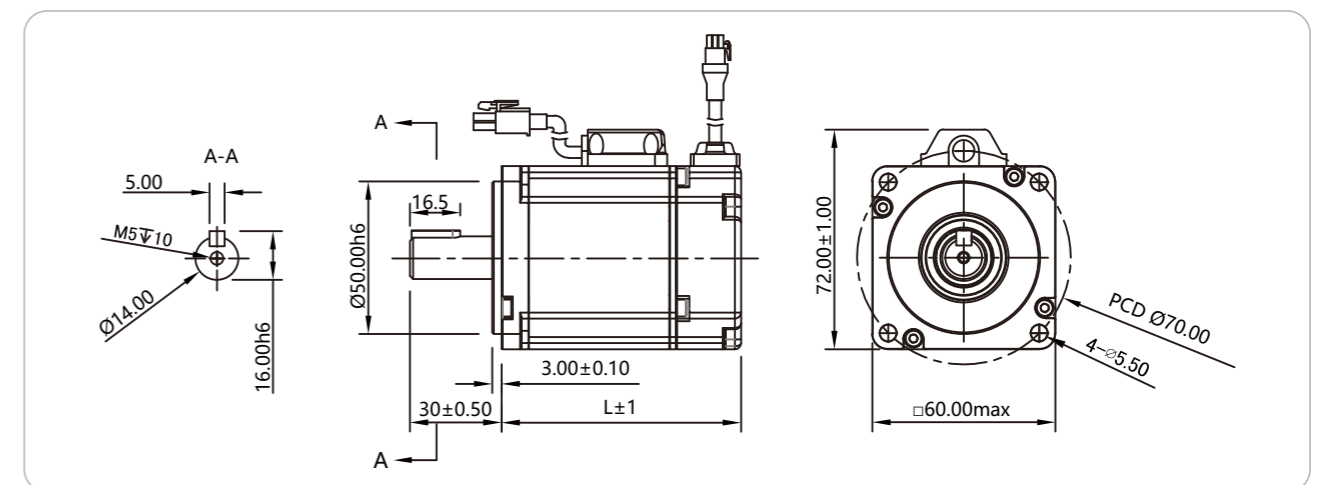


● Technical specification of 60 frame servo motor

a) Electrical parameters

Model	Length L	Power supply (V)	Rated power (W)	Rated torque (Nm)	Max torque (Nm)	Rated current (A)	Max current (A)	Roter inertia (10 <sup>-4</sup> kg <sup>2</sup> )	Rated speed (r/min)	Max speed (r/min)	Matching drive
60JASM502230K-17BC	78.5	220	200	0.64	1.92	1.7	5.1	0.2	3000	6000	JASD2002-20B
60JASM504230K-17BC	98.5	220	400	1.27	3.81	2.8	8.4	0.3	3000	6000	JASD4002-20B

b) Installation dimensions (Unit: mm)

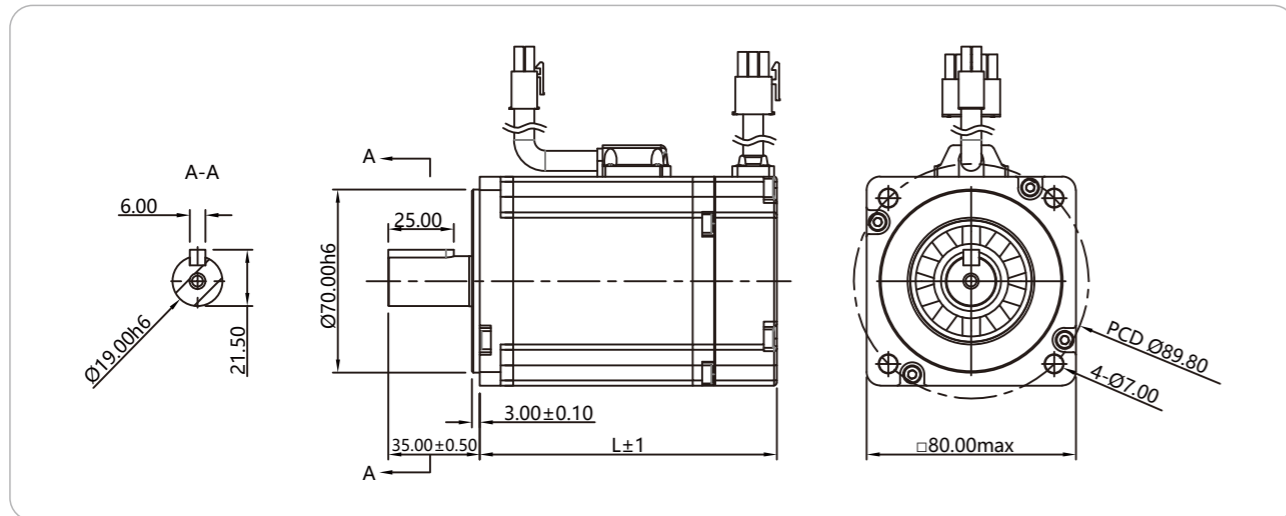


● Technical specification of 80 frame servo motor

a) Electrical parameters

Model	length L	Power supply (V)	Rated power (W)	Rated torque (Nm)	Max torque (Nm)	Rated current (A)	Max current (A)	Roter inertia (10 <sup>-4</sup> kg <sup>2</sup> )	Rated speed (r/min)	Max speed (r/min)	Matched driver
80JASM507230K-17BC	107	220	750	2.39	7.17	4.9	14.7	0.9	3000	5000	JASD7502-20B
80JASM510230K-17BC	126	220	1000	3.18	9.54	5.4	16.2	1.15	3000	5000	JASD15002-20B

b) Installation dimensions (Unit : mm)

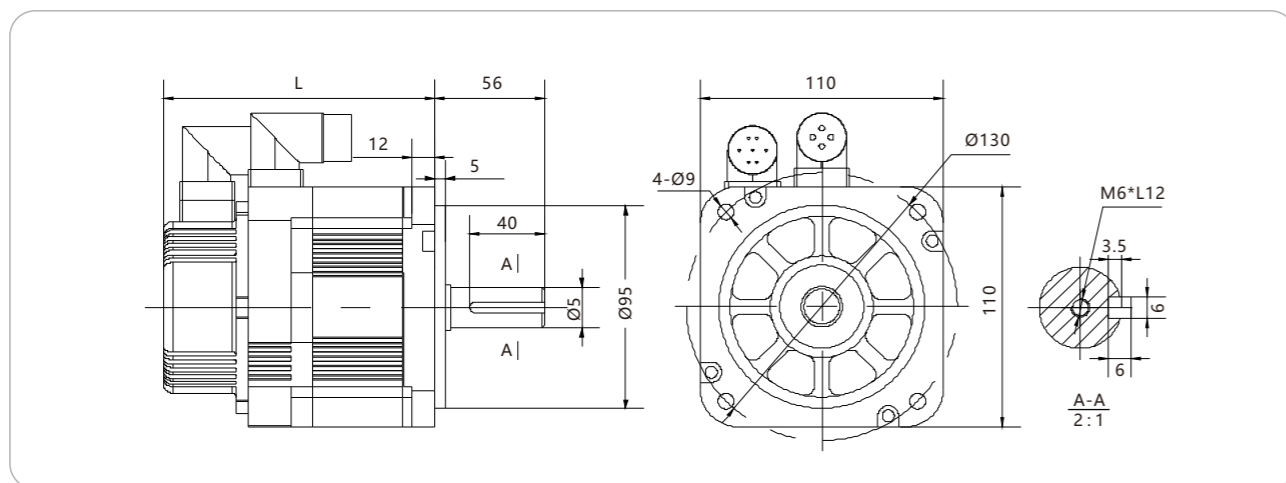


● Technical specification of 110 frame servo motor

a) Electrical parameters

Model No.	length (L)	Power supply (V)	Rated power (W)	Rated torque (Nm)	Max torque (Nm)	Rated current (A)	Max Current (A)	Roter inertia 10-4kg	Rated Speed (r/min)	Max speed (r/min)	Matched driver
110JASM513230K-M23B	153	220	1300	4.2	12.6	6.5	19.5	7.9	3000	4000	JASD15002-20B
110JASM516220K-M23B	184	220	600	7.5	22.5	8.0	25.0	12.4	2000	3000	JASD20002-20B

b) Installation dimensions (Unit: mm)

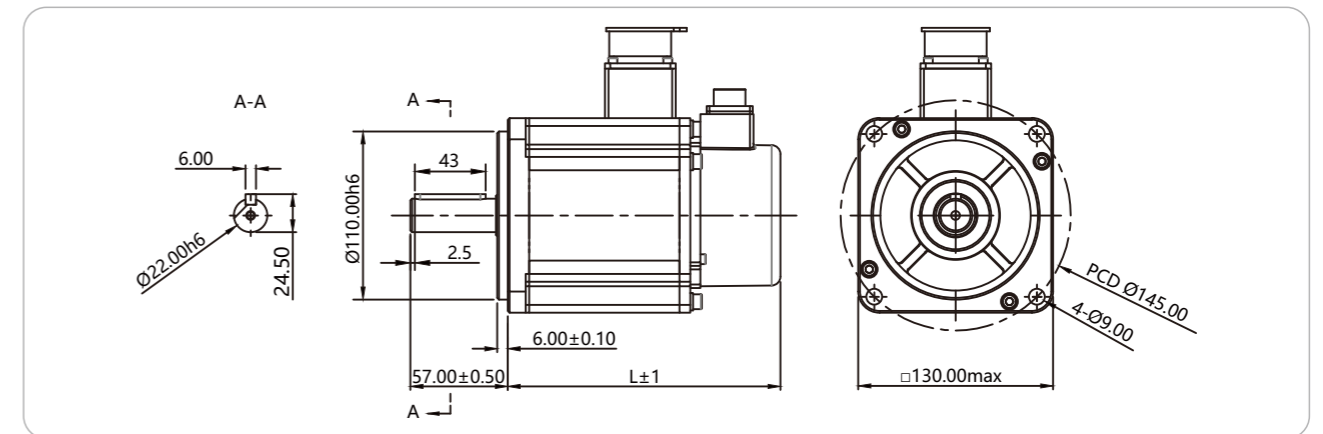


● Technical specification of 130 frame servo motor

a) Electrical parameters

Model	Length L	Power supply (V)	Rated power (W)	Rated torque (Nm)	Max torque (Nm)	Max torque (A)	Rated current (A)	Roter inertia (10 <sup>-4</sup> kg <sup>2</sup> )	Rated speed (r/min)	Max speed (r/min)	Matched driver
130JASM508215K-17BCN	173	220	850	5.4	16.2	6.5	20.5	10.4	1500	3000	JASD15002-20B
130JASM515220K-17BCN	193	220	1500	7.5	22.5	9.0	27	15.3	2000	3000	JASD20002-20B
130JASM515230K-17BCN	173	220	1500	5	15	6.4	19.2	10.6	3000	5000	JASD20002-20B
130JASM515215K-17BCN	213	220	1500	9.6	19.2	10	31.5	20.4	1500	3000	JASD20002-20B
130JASM520230K-17BCN	193	220	2000	6.4	19.2	11.5	34.5	15.3	3000	4000	JASD20002-20B
130JASM523215K-17BCN	233	220	2300	14.6	29.2	11	34.7	23.5	1500	3000	JASD20002-20B
130JASM530220K-17BCN	248	220	3000	14.3	42.9	17	51.0	28.5	2000	3000	JASD30002-20B

b) Installation dimensions (Unit: mm)



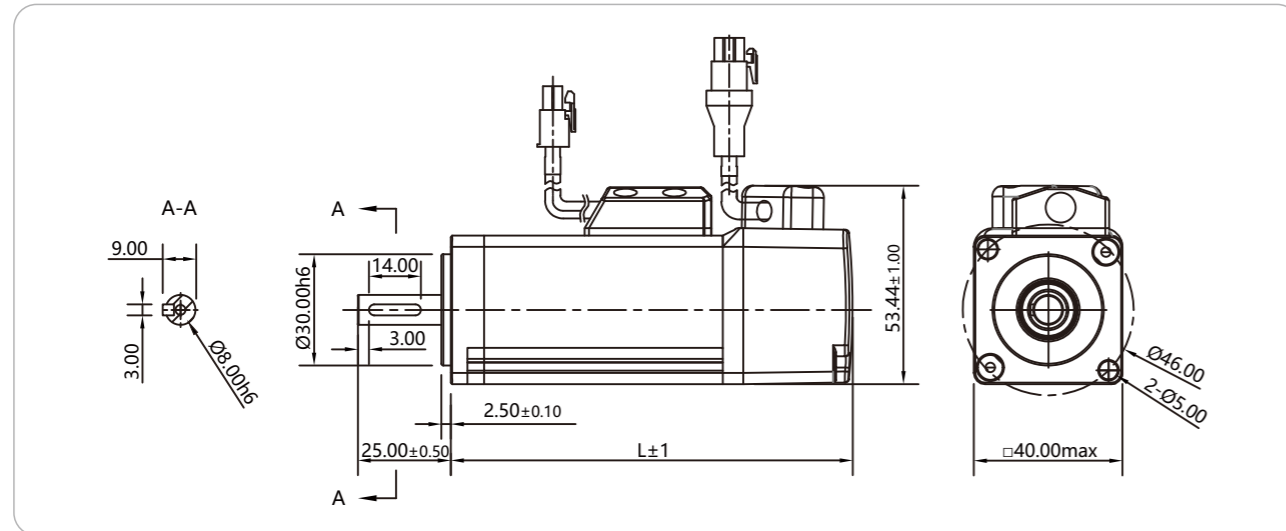
## Parameter list of JASM\*\*\*-17BCT Series motor

### ● Technical specification of 40 frame servo motor

#### a) Electrical parameters

Model No.	length L	Power supply (V)	Rated power (W)	Rated torque (Nm)	Max torque (Nm)	Rated current (A)	Max current (A)	Roter inertia (10 <sup>-4</sup> kg <sup>2</sup> )	Rated speed (r/min)	Max speed (r/min)	Matched power
40JASM501230K-17BCT	108.5	220	100	0.32	0.96	1.0	2.7	0.034	3000	5000	JASD2002-20B

#### b) Installation dimensions (Unit: mm)

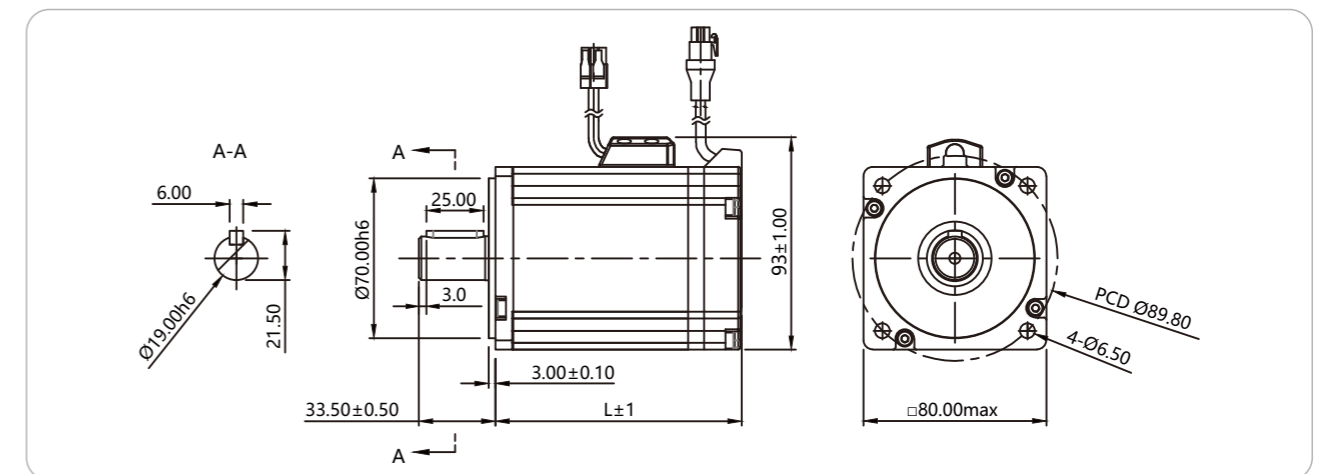


### ● Technical specification of 80 frame servo motor

#### a) Electrical parameters

Model No.	L	Power supply (V)	Rated power (W)	Rated torque (Nm)	Max torque (Nm)	Rated current (A)	Max current (A)	Roter inertia (10 <sup>-4</sup> kg <sup>2</sup> )	Rated speed (r/min)	Max speed (r/min)	Matched driver
80JASM507230K-17BCT	108	220	750	2.39	7.16	4.9	14.7	0.82	3000	5000	JASD7502-20B
80JASM510230K-17BCT	123	220	1000	3.18	9.54	5.4	16.2	1.15	3000	5000	JASD15002-20B

#### b) Installation dimensions (Unit: mm)

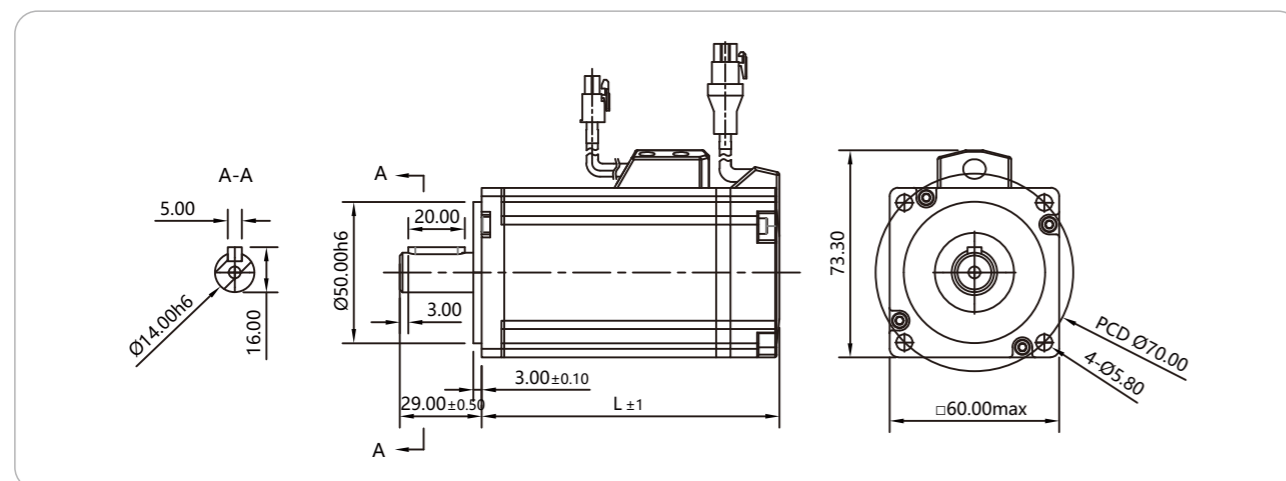


### ● Technical specification of 60 frame servo motor

#### a) Electrical parameters

Model No.	Length L	Rated power (V)	Rated power (W)	Rated torque (Nm)	Max torque (Nm)	Rated current (A)	Max current (A)	Roter inertia (10 <sup>-4</sup> kg <sup>2</sup> )	Rated speed (r/min)	Max speed (r/min)	Matched driver
60JASM502230K-17BCT	100.5	220	200	0.64	1.92	1.8	5.4	0.2	3000	5000	JASD2002-20B
60JASM504230K-17BCT	105	220	400	1.27	3.81	2.8	8.4	0.32	3000	5000	JASD4002-20B

#### b) Installation dimensions (Unit: mm)

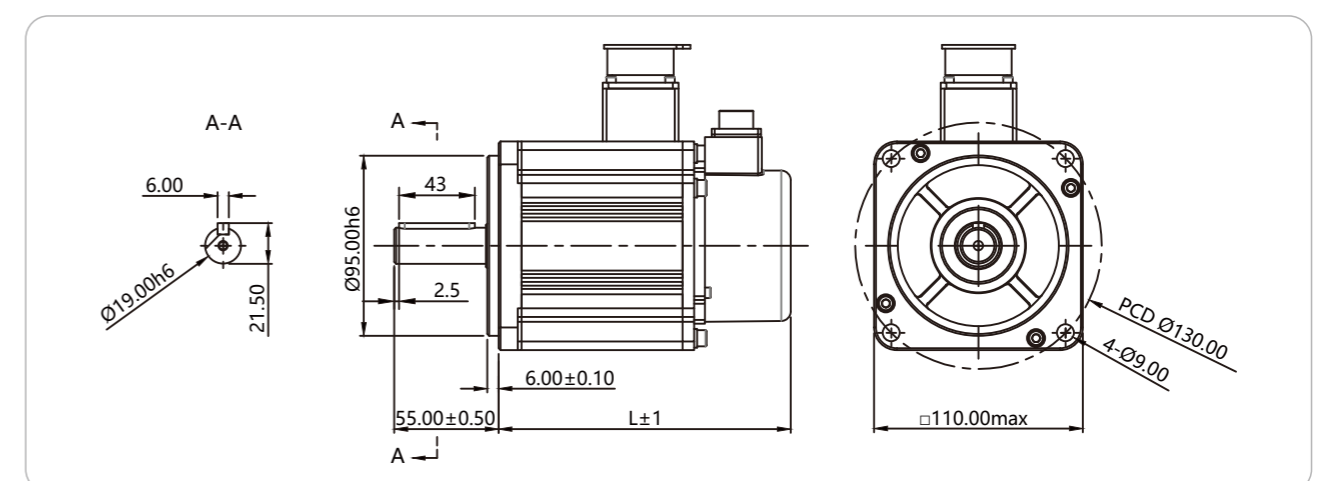


### ● Technical specification of 110 frame servo motor

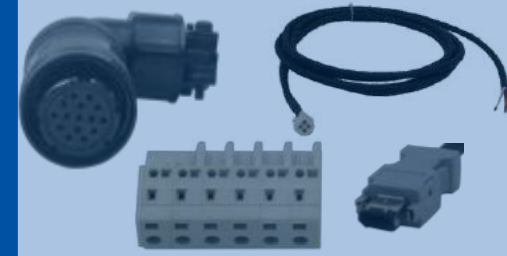
#### a) Electrical parameters

Model No.	length L	Power supply (V)	Rated power (W)	Rated torque (Nm)	Max torque (Nm)	Rated current (A)	Max current (A)	Roter inertia (10 <sup>-4</sup> kg <sup>2</sup> )	Rated speed (r/min)	Max speed (r/min)	Matched driver
110JASM510225K-17BCT	124	220	1000	3.82	9.55	5.5	13.7	3.8	2500	5000	JASD15002-20B
110JASM515225K-17BCT	170.5	220	1500	5.73	14.33	6.8	17	5.2	2500	5000	JASD20002-20B

#### b) Installation dimensions (Unit: mm)



# Accessories of JASD Series

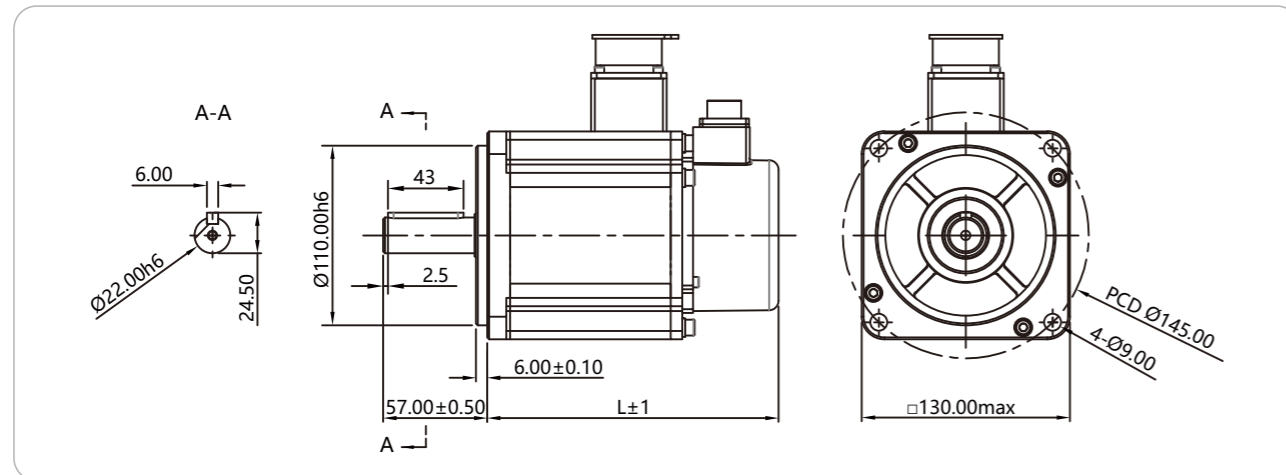


## Technical specification of 130 frame servo motor

### a) Electrical parameters

Model	Length L	Power supply (V)	Rated power (W)	Rated torque (Nm)	Max torque (Nm)	Rated current (A)	Max current (A)	rotor inertia (10 <sup>-4</sup> kg <sup>2</sup> )	Rated speed (r/min)	Max speed (r/min)	Matched driver
130JASM510220K-17BCT	151	220	1000	4.78	14.34	5.6	12	6.1	2000	3500	JASD15002-20B
130JASM515220K-17BCT	166	220	1500	7.16	17.9	7.5	18.7	10.9	2000	4000	JASD20002-20B
130JASM515225K-17BCT	170.5	220	1500	5.73	14.33	6.8	17	5.2	2500	5000	JASD20002-20B
130JASM515230K-17BCT	151	220	1500	7.16	17.9	7.5	18.7	10.9	3000	4000	JASD20002-20B
130JASM515240K-17BCT	151	220	1500	3.58	10.74	6.5	13	6.1	4000	4500	JASD20002-20B
130JASM520220K-17BCT	180	220	2000	9.55	23.88	10.2	22.5	11.4	2000	4000	JASD20002-20B
130JASM526225K-17BCT	180	220	2600	10.0	25.0	10	20	12.1	2500	3500	JASD30002-20B
130JASM530220K-17BCT	193	220	3000	14.32	35.8	11	27.5	13.2	2000	4000	JASD30002-20B

### b) Installation dimensions (Unit: mm)



## Accessories list

### Drivers of JASD...-20B series and motor accessories of JASM...-17BC/17BCN

when Customers use our cables, each set of servo must be equipped						
CN1 I/O connector	R, S, T, L1, L2 terminal	U, V, W, B1, B2, B3 terminal	Power cable		Encoder cable	
Packaged with driver			Frame 80 and below	Frame 80 and above	40/60 frame	80 frame, Frame 8 above
3M is standard length, other length is available						

when Customers do not use our cable, then each set of servo must be equipped						
CN1 I/O connect	R, S, T, L1, L2 terminal	U, V, W, B1, B2, B3 terminal	Power cable adapter		Encoder cable adapter	
Packaged with driver			Frame 80 and below	Frame 80 and above	Frame 80 and below	Frame 80 and above, 40/60 frame, Frame 80 above

### Drivers of JASD...-20B series and motor accessories of JASM...-17BCT


when Customers use our cables, each set of servo must be equipped						
CN1 I/O connect	R, S, T, L1, L2 terminal	U, V, W, B1, B2, B3 terminal	Power cable		Encoder cable	
Packaged with driver			Frame 80 and below	Frame 80 and above	40/60 frame	80 frame, 110 frame
3M is standard length, other length is available						

when Customers do not use our cable, then each set of servo must be equipped						
CN1 I/O connect	R, S, T, L1, L2 terminal	U, V, W, B1, B2, B3 terminal	Power cable adapter		Encoder cable adapter	
Packaged with driver			Frame 80 and below	Frame 80 and above	Frame 80 and below	Frame 80 and above, 40/60 机座, Frame 80 above

● Adapter definition of JASM\*\*-17BC/17BCN motor

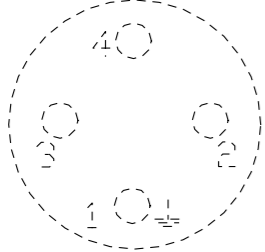
a) Serial number and definition of power adapter pin

【Motor frame is 80 and below】



No.	Definition
1	U
2	V
3	W
4	PE

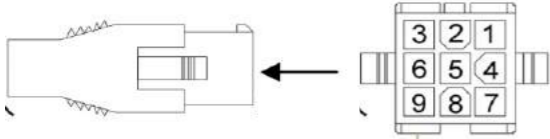
【Motor frame is 80 and above】



No	Definition
1	PE
2	U
3	V
4	W

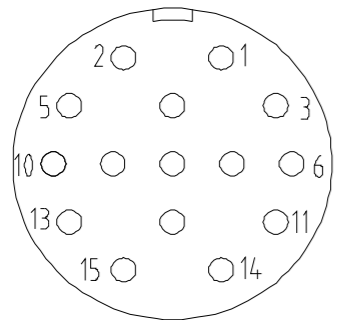
b) Serial number and definition of encoder adapter pin

【Motor frame is 80 and below】



No.	Definition	No.	Definition
1	T+	6	B-
2	/	7	+5V
3	B+	8	GND
4	T-	9	Shielding wire
5	/		

【Motor Frame above 80】

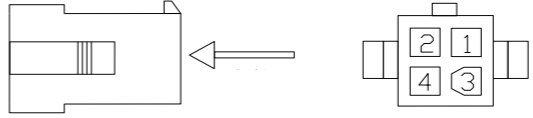


No	Definition
1	Shielding wire
2	T+
3	T-
4	+5V
5	GND
6	B+
7	B-

● Motor adapter definition of JASM\*\*-17BCT series

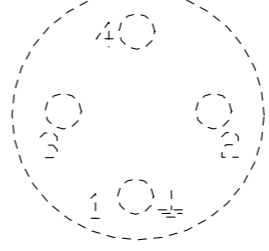
a) Serial number and definition of power adapter pin

【Motor frame is 80 and below】



No.	Definition
1	U
2	V
3	W
4	PE

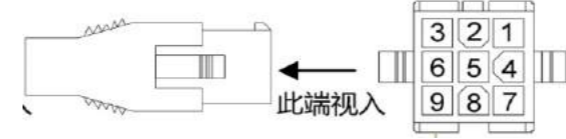
【Motor Frame above 80】



No.	Definition
1	PE
2	U
3	V
4	W

b) Serial number and definition of encoder adapter pin

【Motor frame is 80 and below】



No	Definition	No.	Definition
1	T+	6	B-
2	/	7	+5V
3	B+	8	GND
4	T-	9	Shielding wire
5	/		

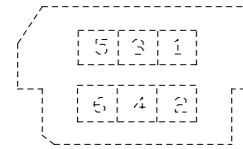
【Motor Frame above 80】



No	Definition
1	Shielding wire
2	T+
3	T-
4	+5V
5	GND
6	B+
7	B-

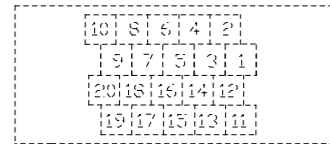
● Serial number and definition of driver CN2 port docking plug pin

400w and below 400W



No	Definition
1	+5V
2	GND
3	/
4	/
5	T+
6	T-
Terminal housing	Shielding wire

Above 400W




No.	Definistion
4	T-
5	T+
13	GND
14	+5V
Terminal housing	Shielding wire

# AC servo selection table of JASD series




## Typical correspondence table

### List of 100W

Driver model	JASD2002-20B	
Motor model	40JASM501230K-17BC 40JASM501230K-17BCT	
Encoder cable	C-EC4-I-EL9-3M0 (The standard length is 3M, other length is available)	
Power cable	C-M4*0.5-EL4-3M0 (The standard length is 3M, other length is available)	

### ● List of 400W

Driver model	JASD2002-20B	
Motor model	60JASM502230K-17BC 60JASM502230K-17BCT	
Encoder cable	C-EC4-I-EL9-3M0 (The standard length is 3M, other length is available)	
Power cable	C-M4*0.5-EL4-3M0 (The standard length is 3M, other length is available)	








● List of 400W

Driver model	JASD4002-20B	
Motor model	60JASM504230K-17BC 60JASM504230K-17BCT	
Encoder cable	C-EC4-I-EL9-3M0 (The standard length is 3M, other length is available)	
Power cable	C-M4*0.5-EL4-3M0 (The standard length is 3M, other length is available)	





● List of 750W products

Driver model	JASD7502-20B	
Motor model	80JASM507230K-17BC 80JASM507230K-17BCT	
Encoder cable	C-EC4-S-EL9-3M0 (The standard length is 3M, other length is available)	
Power cable	C-M4*0.75-EL4-3M0 (The standard length is 3M, other length is available)	



● List of 1500W

Driver model	JASD15002-20B	
Motor model	80JASM510230K-17BC 80JASM510230K-17BCT	
	130JASM508215K-17BCN	
Encoder cable	C-EC4-S-EL9-3M0 (Match with 80 motor, The standard length is 3M, other length is available)	
	C-EC4-S-H-3M0-X (Matched with 110, 130motor, The standard length is 3M, other length is available)	
Power cable	C-M4*1.5-EL4-3M0 (Match with 80 motor, The standard length is 3M, other length is available)	
	C-M4*1.5-H-3M0-X (Matched with 110, 130motor, The standard length is 3M, other length is available)	

● List of 2000W

Driver model	JASD20002-20B	
Motor model	130JASM515215K-17BCN 130JASM515220K-17BCN 130JASM515230K-17BCN 130JASM520230K-17BCN 130JASM523215K-17BCN	
Encoder cable	C-EC4-S-H-3M0-X (The standard length is 3M, other length is available)	
Power cable	C-M4*1.5-H-3M0-X (The standard length is 3M, other length is available)	

● List of 3000W products

Driver Model	JASD30002-20B	
Motor Model	130JASM530220K-17BCN	
Encoder cable	C-EC4-S-H-3M0-X (The standard length is 3M, other length is available)	
Power cable	C-M4*1.5-H-3M0-X (The standard length is 3M other length is available)	

Configuration corresponding table of Jasd series product

● JASD\*-20B Series (Single loop absolute mode)

Driver	Motor	Encoder cable( The standard length is 3M)	Power cable (The standard length is 3M,other length is available)
JASD2002-20B	40JASM501230K-17BC	C-EC4-I-EL9-3M0 (0-8M is available ) C-EC6-I-EL9-10M0 (9-16M is available)	C-M4*0.5-EL4-3M0
	40JASM501230K-17BCT	C-EC4-I-EL9-3M0 (0-8M is available) C-EC6-I-EL9-10M0 (9-16M is available)	C-M4*0.5-EL4-3M0
	60JASM502230K-17BC	C-EC4-I-EL9-3M0 (0-8M is available) C-EC6-I-EL9-10M0 (9-16M is available)	C-M4*0.5-EL4-3M0
	60JASM502230K-17BCT	C-EC4-I-EL9-3M0 (0-8M is available) C-EC6-I-EL9-10M0 (9-16M is available)	C-M4*0.5-EL4-3M0
JASD4002-20B	60JASM504230K-17BC	C-EC4-I-EL9-3M0 (0-8M is available) C-EC6-I-EL9-10M0 (9-16M is available)	C-M4*0.5-EL4-3M0
	60JASM504230K-17BCT	C-EC4-I-EL9-3M0 (0-8M is available) C-EC6-I-EL9-10M0 (9-16M is available)	C-M4*0.5-EL4-3M0
JASD7502-20B	80JASM507230K-17BC	C-EC4-S-EL9-3M0 (0-8M is available) C-EC6-S-EL9-10M0 (9-16M is available)	C-M4*0.75-EL4-3M0
	80JASM507230K-17BCT	C-EC4-S-EL9-3M0 (0-8M is available) C-EC6-S-EL9-10M0 (9-16M is available)	C-M4*0.75-EL4-3M0
JASD15002-20B	80JASM510230K-17BC	C-EC4-S-EL9-3M0 (0-8M is available) C-EC6-S-EL9-10M0 (9-16M is available)	C-M4*0.75-EL4-3M0
	80JASM510230K-17BCT	C-EC4-S-EL9-3M0 (0-8M is available) C-EC6-S-EL9-10M0 (9-16M is available)	C-M4*0.75-EL4-3M0
	110JASM513230K-M23B	C-EC4-S-H-3M0 (0-8M is available) C-EC6-S-H-10M0 (9-16M is available)	C-M4*1.5-H-3M0
	110JASM510225K-17BCT	C-EC4-S-H7-3M0-T(0-8M is available) C-EC6-S-H7-10M0-T(9-16M is available)	C-M4*1.5-H-3M0-X C-M4*1.5+2-H7-3M0-T (For motor with brake)
	130JASM508215K-17BCN	C-EC4-S-H-3M0-X (0-8M is available) C-EC6-S-H-10M0-X (9-16M is available)	C-M4*1.5-H-3M0-X
	130JASM510220K-17BCT	C-EC4-S-H7-3M0-T(0-8M is available) C-EC6-S-H7-10M0-T(9-16M is available)	C-M4*1.5-H-3M0-X C-M4*1.5+2-H7-3M0-T ( For motor with brake)
JASD20002-20B	110JASM515225K-17BCT	C-EC4-S-H7-3M0-T(0-8M is available) C-EC6-S-H7-10M0-T(9-16M is available)	C-M4*1.5-H-3M0-X C-M4*1.5+2-H7-3M0-T (For motor with brake)
	110JASM516230K-M23B	C-EC4-S-H-3M0 (0-8M is available) C-EC6-S-H-10M0 (9-16M is available)	C-M4*1.5-H-3M0
	130JASM515220K-17BCN	C-EC4-S-H-3M0-X (0-8M is available) C-EC6-S-H-10M0-X (9-16M is available)	C-M4*1.5-H-3M0-X
	130JASM515220K-17BCT	C-EC4-S-H7-3M0-T(0-8M is available) C-EC6-S-H7-10M0-T(9-16M is available)	C-M4*1.5-H-3M0-X C-M4*1.5+2-H7-3M0-T (For motor with brake)
	130JASM515225K-17BCT	C-EC4-S-H7-3M0-T(0-8M is available) C-EC6-S-H7-10M0-T(9-16M is available)	C-M4*1.5-H-3M0-X C-M4*1.5+2-H7-3M0-T (For motor with brake)
	130JASM515230K-17BCN	C-EC4-S-H-3M0-X (0-8M is available) C-EC6-S-H-10M0-X (9-16M is available)	C-M4*1.5-H-3M0-X
	130JASM515230K-17BCT	C-EC4-S-H7-3M0-T(0-8M is available) C-EC6-S-H7-10M0-T(9-16M is available)	C-M4*1.5-H-3M0-X C-M4*1.5+2-H7-3M0-T (For motor with brake)
	130JASM520230K-17BCN	C-EC4-S-H-3M0-X (0-8M is available) C-EC6-S-H-10M0-X (9-16M is available)	C-M4*1.5-H-3M0-X
	130JASM515240K-17BCT	C-EC4-S-H7-3M0-T(0-8M is available) C-EC6-S-H7-10M0-T(9-16M is available)	C-M4*1.5-H-3M0-X C-M4*1.5+2-H7-3M0-T (For motor with brake)
	130JASM523215K-17BCN	C-EC4-S-H-3M0-X (0-8M is available) C-EC6-S-H-10M0-X (9-16M is available)	C-M4*1.5-H-3M0-X
	130JASM520220K-17BCT	C-EC4-S-H7-3M0-T(0-8M is available) C-EC6-S-H7-10M0-T(9-16M is available)	C-M4*1.5-H-3M0-X C-M4*1.5+2-H7-3M0-T (For motor with brake)
	130JASM515215K-17BCN	C-EC4-S-H-3M0-X (0-8M is available) C-EC6-S-H-10M0-X (9-16M is available)	C-M4*1.5-H-3M0-X
JASD30002-20B	130JASM526225K-17BCT	C-EC4-S-H7-3M0-T(0-8M is available) C-EC6-S-H7-10M0-T(9-16M is available)	C-M4*1.5-H-3M0-X C-M4*1.5+2-H7-3M0-T (For motor with brake)
	130JASM530220K-17BCN	C-EC4-S-H-3M0-X (0-8M is available) C-EC6-S-H-10M0-X (9-16M is available)	C-M4*1.5-H-3M0-X
	130JASM530220K-17BCT	C-EC4-S-H7-3M0-T(0-8M is available) C-EC6-S-H7-10M0-T(9-16M is available)	C-M4*1.5-H-3M0-X C-M4*1.5+2-H7-3M0-T (For motor with brake)



● JASD\*-M20B Series (Multi loop with memory function)

Driver No.	Motor Model	Encoder cable(The standard length is 3M)	Power cable (The standard length is 3M, other length is available)	
JASD2002-M20B	40JASM501230K-M17BC	C-EC6-I-EL9-B-3M0 (0-8M is available ) C-EC6*0.3-I-EL9-B-10M0(9-20M is available)	C-M4*0.5-EL4-3M0	
	40JASM501230K-M17BCT	C-EC6-I-EL9-B-3M0 (0-8M is available) C-EC6*0.3-I-EL9-B-10M0(9-20M is available)	C-M4*0.5-EL4-3M0	
	60JASM502230K-M17BC	C-EC6-I-EL9-B-3M0 (0-8M is available) C-EC6*0.3-I-EL9-B-10M0(9-20Mis available)	C-M4*0.5-EL4-3M0	
	60JASM502230K-M17BCT	C-EC6-I-EL9-B-3M0 (0-8M is available) C-EC6*0.3-I-EL9-B-10M0(9-20Mis available)	C-M4*0.5-EL4-3M0	
JASD4002-M20B	60JASM504230K-M17BC	C-EC6-I-EL9-B-3M0 (0-8M is available) C-EC6*0.3-I-EL9-B-10M0(9-20Mis available)	C-M4*0.5-EL4-3M0	
	60JASM504230K-M17BCT	C-EC6-I-EL9-B-3M0 (0-8M is available) C-EC6*0.3-I-EL9-B-10M0(9-20Mis available)	C-M4*0.5-EL4-3M0	
JASD7502-M20B	80JASM507230K-M17BC	C-EC6-S-EL9-B-3M0 (0-8M is available) C-EC6*0.3-S-EL9-B-10M0(9-20M is available)	C-M4*0.75-EL4-3M0	
	80JASM507230K-M17BCT	C-EC6-S-EL9-B-3M0 (0-8M is available) C-EC6*0.3-S-EL9-B-10M0(9-20Mis available)	C-M4*0.75-EL4-3M0	
JASD15002-M20B	80JASM510230K-M17BC	C-EC6-S-EL9-B-3M0 (0-8M is available) C-EC6*0.3-S-EL9-B-10M0(9-20Mis available)	C-M4*0.75-EL4-3M0	
	80JASM510230K-M17BCT	C-EC6-S-EL9-B-3M0 (0-8M is available) C-EC6*0.3-S-EL9-B-10M0(9-20Mis available)	C-M4*0.75-EL4-3M0	
	110JASM513230K-M23B	C-EC6-S-H-B-3M0 (0-8M is available) C-EC6*0.3-S-H-B-10M0(9-20Mis available)	C-M4*1.5-H-3M0	
	110JASM510225K-M17BCT	C-EC6-S-H7-B-3M0-T(0-8M is available) C-EC6*0.3-S-H7-B-10M0-T(9-20Mis available)	C-M4*1.5-H-3M0-X C-M4*1.5+2-H7-3M0-T (for motor with brake)	
	130JASM508215K-M17BCN	C-EC6-S-H-B-3M0-X (0-8M is available) C-EC6*0.3-S-H-B-10M0-X(9-20Mis available)	C-M4*1.5-H-3M0-X	
	130JASM510220K-M17BCT	C-EC6-S-H7-B-3M0-T(0-8M is available) C-EC6*0.3-S-H7-B-10M0-T(9-20Mis available)	C-M4*1.5-H-3M0-X C-M4*1.5+2-H7-3M0-T (for motor with brake)	
JASD20002-M20B	110JASM515225K-M17BCT	C-EC6-S-H7-B-3M0-T(0-8M is available) C-EC6*0.3-S-H7-B-10M0-T(9-20Mis available)	C-M4*1.5-H-3M0-X C-M4*1.5+2-H7-3M0-T (for motor with brake)	
	110JASM516230K-M23B	C-EC6-S-H-B-3M0 (0-8M is available) C-EC6*0.3-S-H-B-10M0(9-20Mis available)	C-M4*1.5-H-3M0	
	130JASM515220K-M17BCN	C-EC6-S-H-B-3M0-X (0-8M is available) C-EC6*0.3-S-H-B-10M0-X(9-20Mis available)	C-M4*1.5-H-3M0-X	
	130JASM515220K-M17BCT	C-EC6-S-H7-B-3M0-T(0-8M is available) C-EC6*0.3-S-H7-B-10M0-T(9-20Mis available)	C-M4*1.5-H-3M0-X C-M4*1.5+2-H7-3M0-T (for motor with brake)	
	130JASM515225K-M17BCT	C-EC6-S-H7-B-3M0-T(0-8M is available) C-EC6*0.3-S-H7-B-10M0-T(9-20Mis available)	C-M4*1.5-H-3M0-X C-M4*1.5+2-H7-3M0-T (for motor with brake)	
	130JASM515230K-M17BCN	C-EC6-S-H-B-3M0-X (0-8M is available) C-EC6*0.3-S-H-B-10M0-X(9-20Mis available)	C-M4*1.5-H-3M0-X	
	130JASM515230K-M17BCT	C-EC6-S-H7-B-3M0-T(0-8M is available) C-EC6*0.3-S-H7-B-10M0-T(9-20Mis available)	C-M4*1.5-H-3M0-X C-M4*1.5+2-H7-3M0-T (For motor with brake)	
	130JASM520230K-M17BCN	C-EC6-S-H-B-3M0-X (0-8M is available) C-EC6*0.3-S-H-B-10M0-X(9-20Mis available)	C-M4*1.5-H-3M0-X	
	130JASM515240K-M17BCT	C-EC6-S-H7-B-3M0-T(0-8M is available) C-EC6*0.3-S-H7-B-10M0-T(9-20Mis available)	C-M4*1.5-H-3M0-X C-M4*1.5+2-H7-3M0-T (for motor with brake)	
	130JASM523215K-M17BCN	C-EC6-S-H-B-3M0-X (0-8M is available) C-EC6*0.3-S-H-B-10M0-X(9-20Mis available)	C-M4*1.5-H-3M0-X	
	130JASM520220K-M17BCT	C-EC6-S-H7-B-3M0-T(0-8M is available) C-EC6*0.3-S-H7-B-10M0-T(9-20Mis available)	C-M4*1.5-H-3M0-X C-M4*1.5+2-H7-3M0-T ( for motor with brake)	
	130JASM515215K-M17BCN	C-EC6-S-H-B-3M0-X (0-8M is available) C-EC6*0.3-S-H-B-10M0-X(9-20Mis available)	C-M4*1.5-H-3M0-X	
	JASD30002-M20B	130JASM526225K-M17BCT	C-EC6-S-H7-B-3M0-T(0-8M is available) C-EC6*0.3-S-H7-B-10M0-T(9-20Mis available)	C-M4*1.5-H-3M0-X C-M4*1.5+2-H7-3M0-T (for motor with brake)
		130JASM530220K-M17BCN	C-EC6-S-H-B-3M0-X (0-8M is available) C-EC6*0.3-S-H-B-10M0-X(9-20Mis available)	C-M4*1.5-H-3M0-X
130JASM530220K-M17BCT		C-EC6-S-H7-B-3M0-T(0-8M is available) C-EC6*0.3-S-H7-B-10M0-T(9-20Mis available)	C-M4*1.5-H-3M0-X C-M4*1.5+2-H7-3M0-T (for motor with brake))	

## Precautions for use and commissioning

The installation and use environment has a direct impact on the normal operation and service life of the product, so the following conditions must be met:

1. Working environment temperature: 0 ~ 55 ; working environment humidity: below 10% ~ 90% (no condensation).
2. Storage environment: - 20 - + 85 ; storage environment humidity: below 93% (no condensation).
3. Vibration: below 0.5g.
4. Prevent rain dripping or wet environment.
5. Avoid exposure to sunlight.
6. Prevent oil mist and salt erosion.
7. Prevent corrosive liquid, gas, etc.
8. Prevent dust, cotton wadding and metal filings from invading.
9. Keep away from radioactive and combustible materials.
10. Space should be reserved around the location of the driver in the cabinet to facilitate loading, unloading and maintenance.
11. Pay attention to the air flow in the cabinet. If necessary, install an external fan to enhance the air flow and reduce the ambient temperature of the driver to facilitate heat dissipation. The long-term working temperature is below 55 .
12. Try to avoid vibration source nearby, and install damping devices such as vibration absorber or anti vibration rubber gasket.
13. If there are electromagnetic interference sources nearby, the power supply and control circuit of the driver are easy to be interfered and cause misoperation. Noise filter can be added or various effective anti-interference measures can be adopted to ensure the normal operation of the driver Operation (noise filter will increase leakage current, isolation transformer should be installed at the power input of driver).